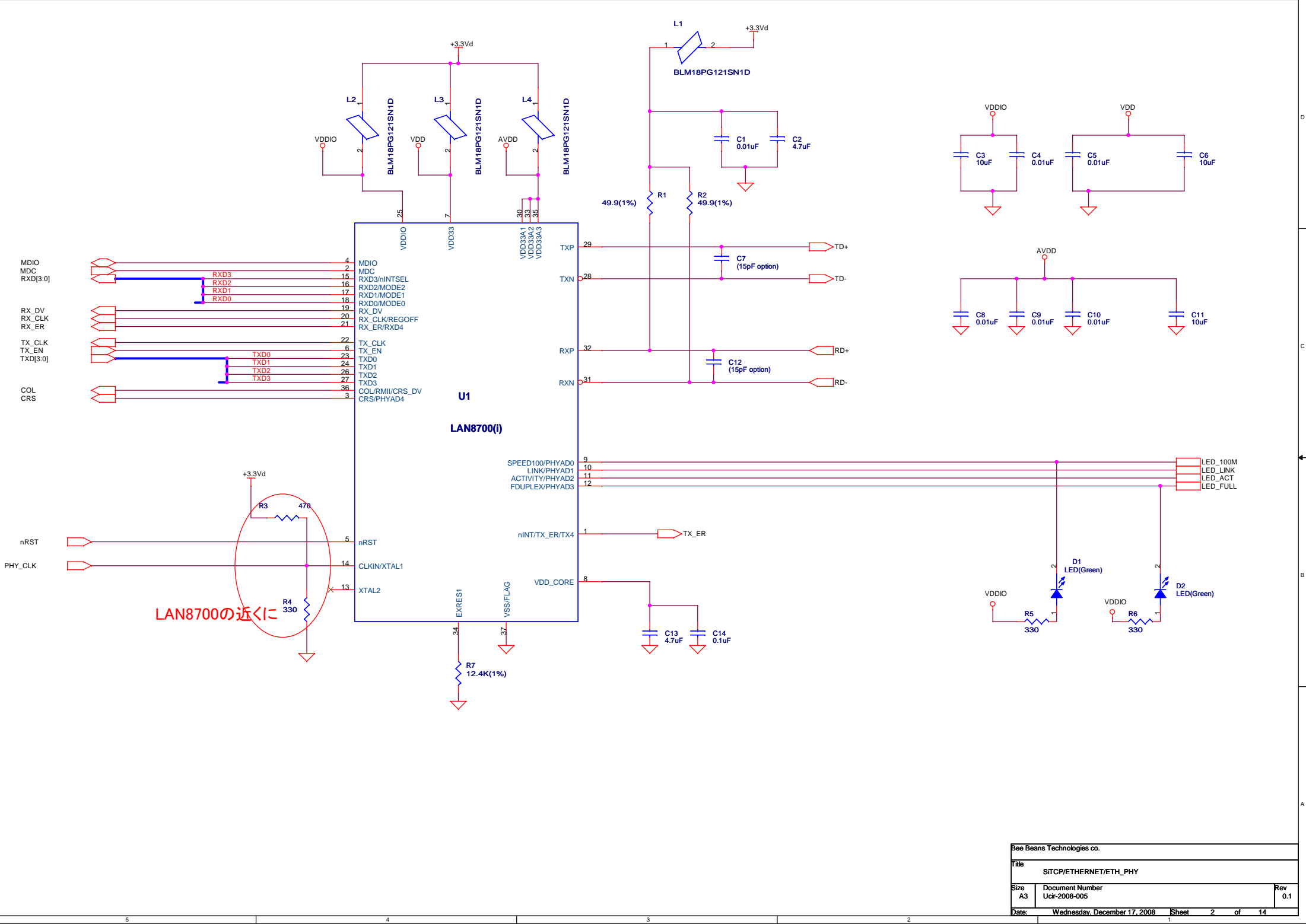
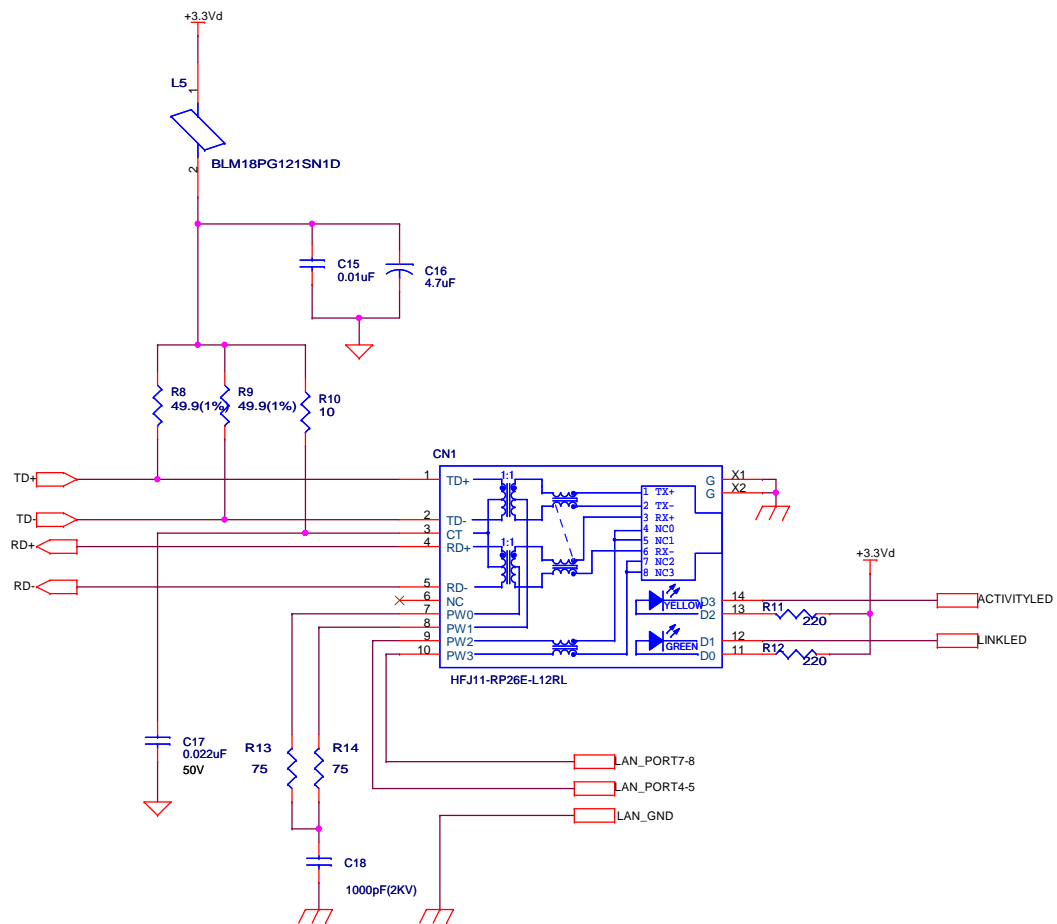


Title		
SITCP-Flex		
Size	Document Number	Rev
A3	Ucir-2008-005	0.1
Date:	Friday, November 14, 2008	Sheet 1 of 14

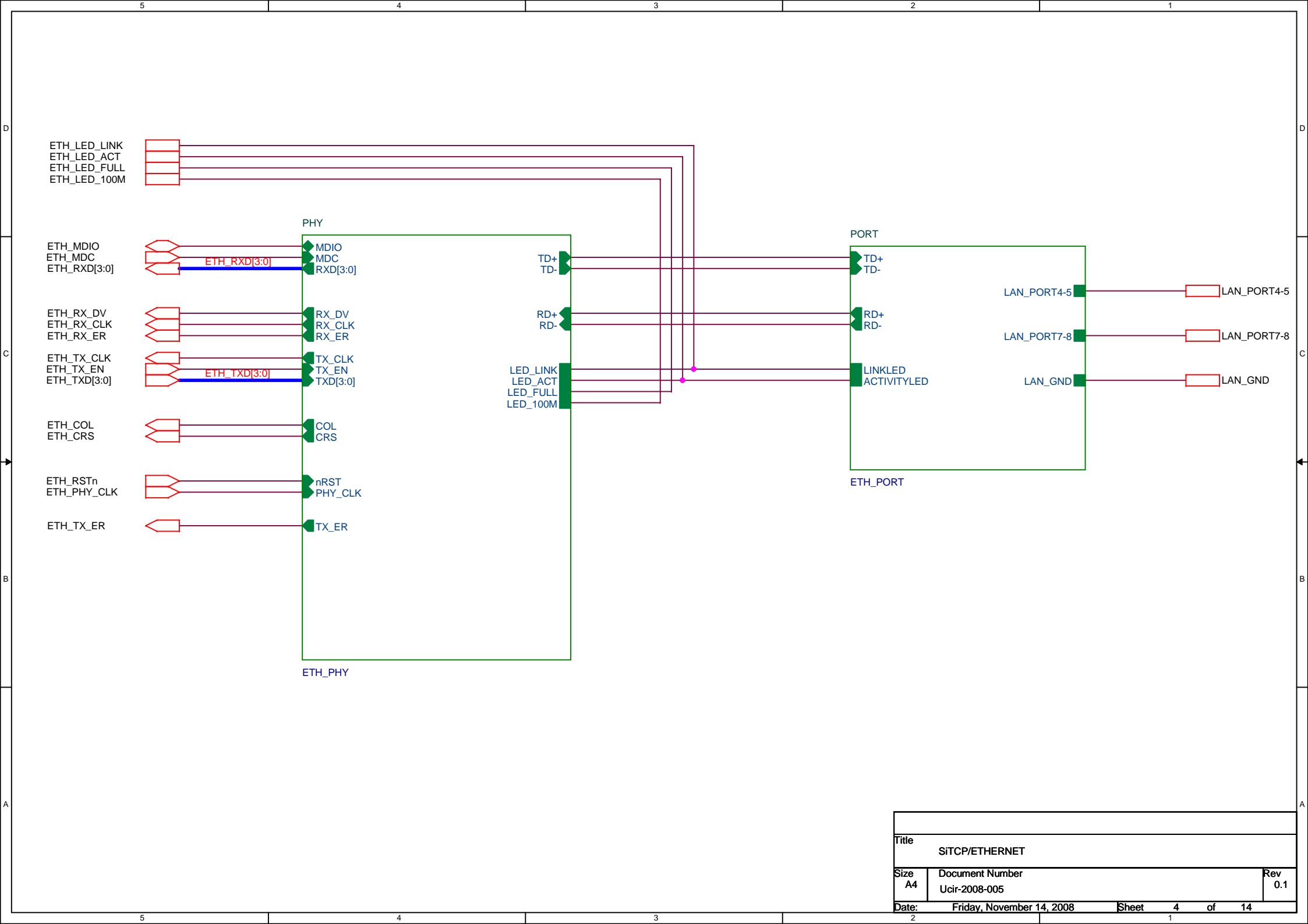


LAN8700の近くに

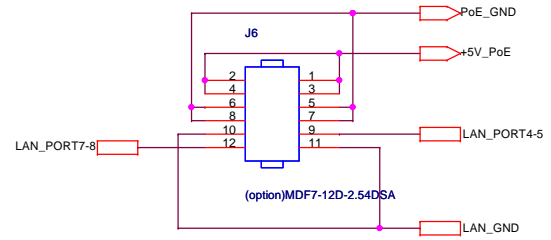
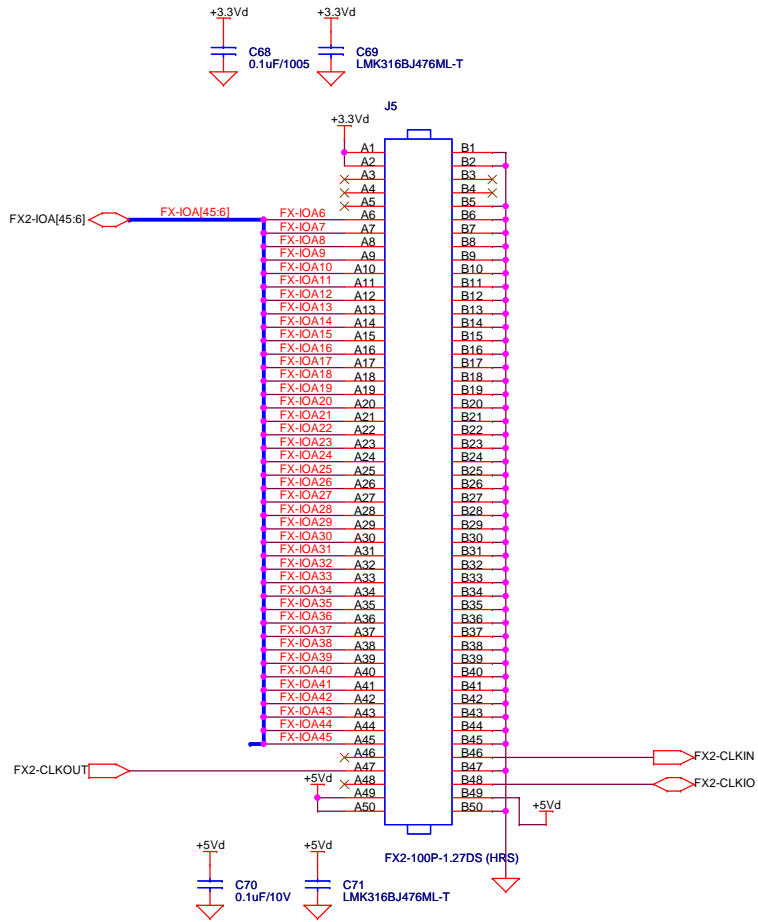
Bee Beans Technologies co.		
Title SITCP/ETHERNET/ETH_PHY		
Size A3	Document Number Ucr-2008-005	Rev 0.1
Date: Wednesday, December 17, 2008	Sheet 2	of 14



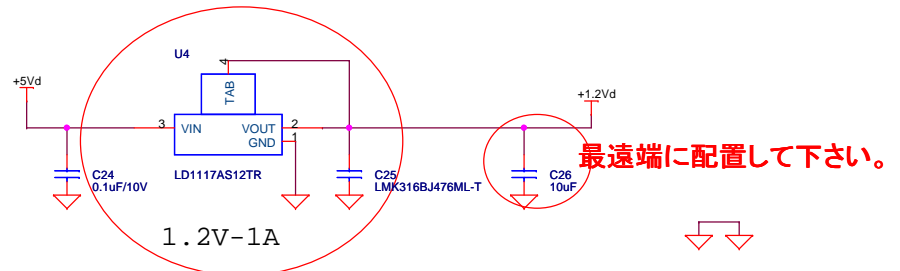
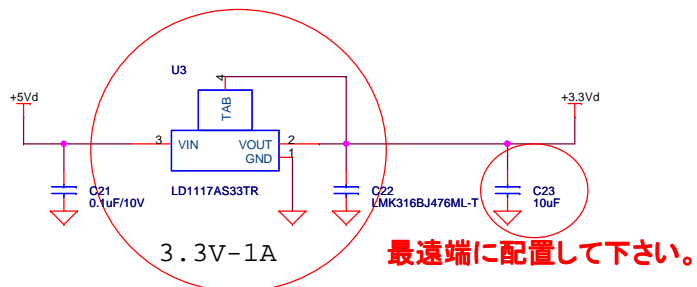
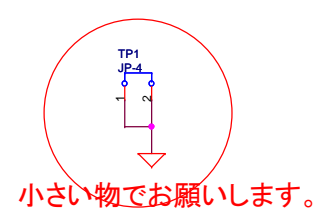
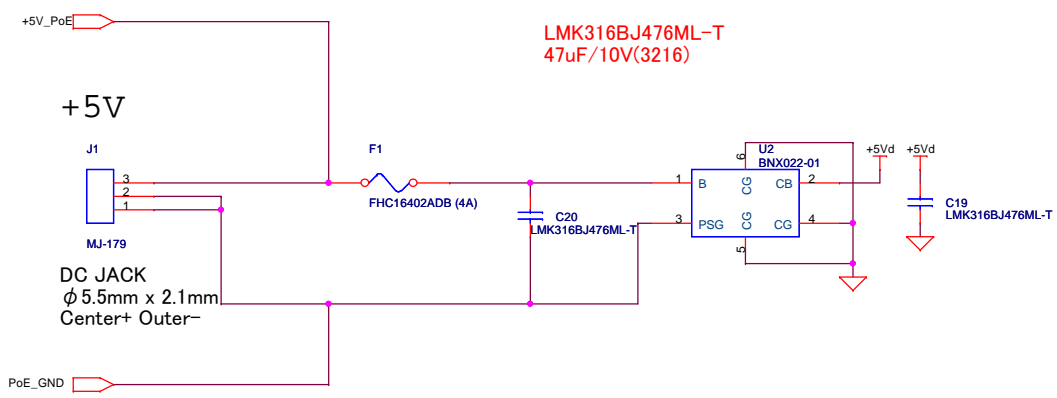
Bee Beans Technologies co.		
Title SITCP/ETHERNET/ETH_PORT		
Size A3	Document Number Ucr-2008-005	Rev 0.1
Date: Wednesday, December 17, 2008	Sheet 3	of 14



Title		
SiTCP/ETHERNET		
Size	Document Number	Rev
A4	Ucir-2008-005	0.1
Date:	Friday, November 14, 2008	Sheet 4 of 14

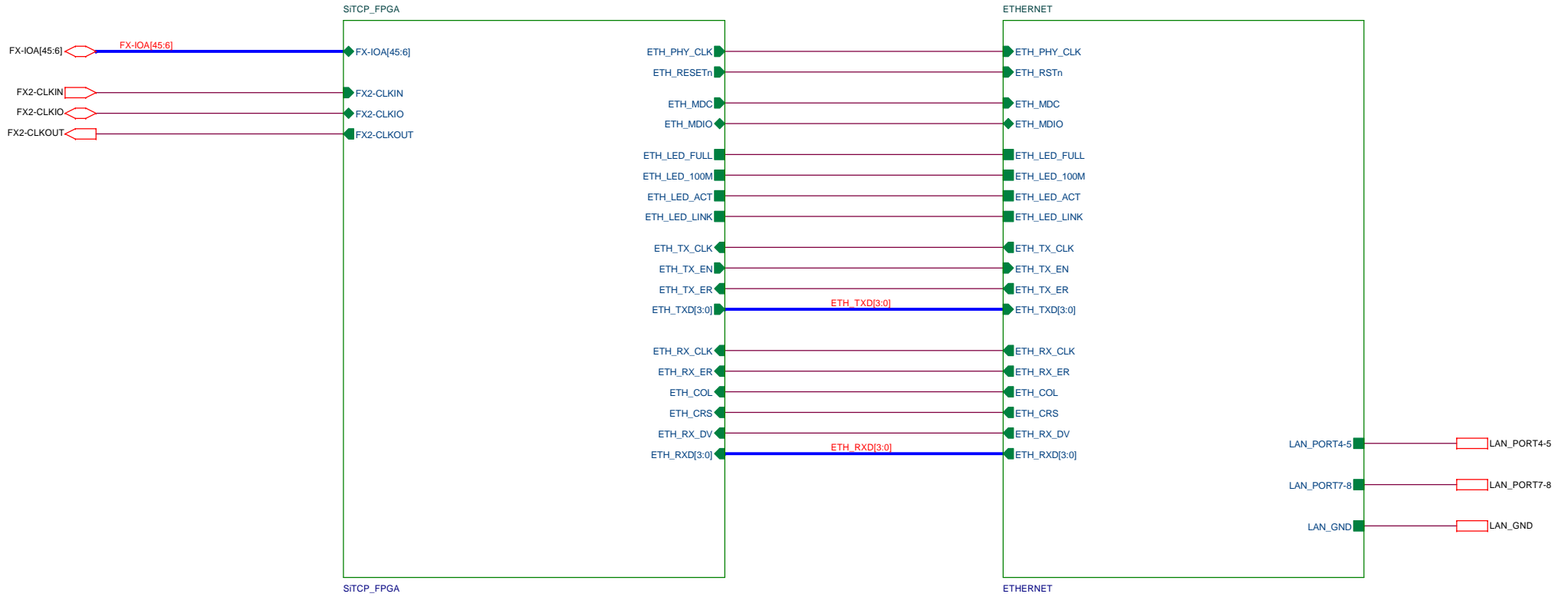


See Beans Technologies co.			
Title			
USER_IF_CONNECTOR			
Size	Document Number	Rev	
A3	Ucir-2008-005	0.1	
Date:	Wednesday, July 15, 2009	Sheet	5 of 14



レギュレータのTABは放熱板なので複数のピアで繋いでください。

Title		
POWER		
Size	Document Number	Rev
A3	Uci-2008-005	0.1
Date:	Wednesday, December 17, 2008	Sheet 6 of 14



Title		
SITCP		
Size	Document Number	Rev
A3	Ucir-2008-005	0.1
Date:	Friday, November 21, 2008	Sheet 7 of 14

D

D

C

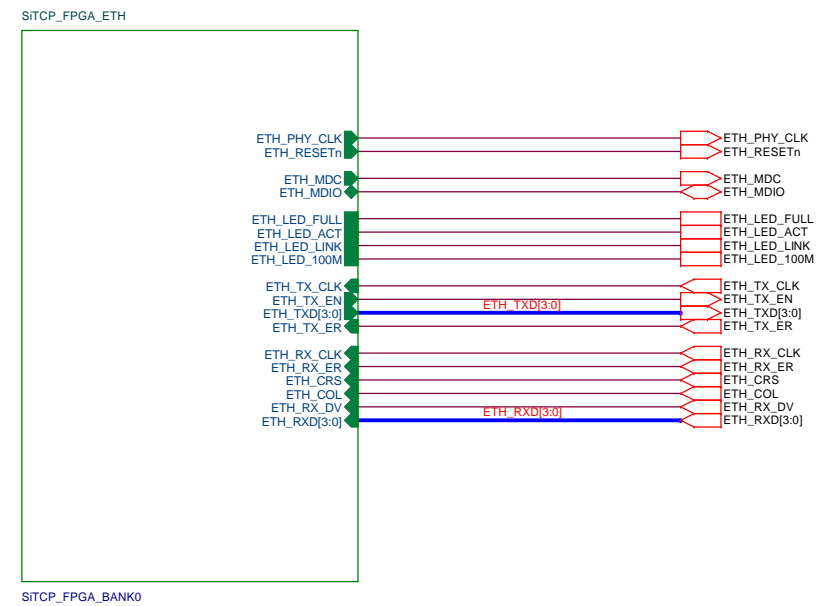
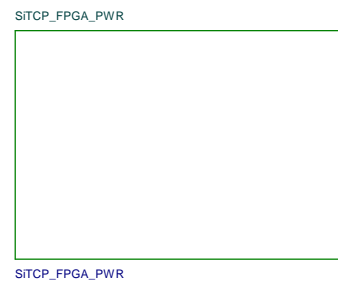
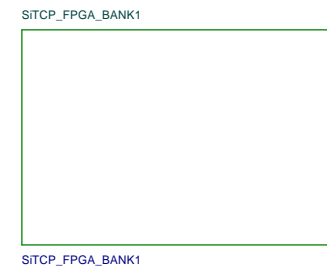
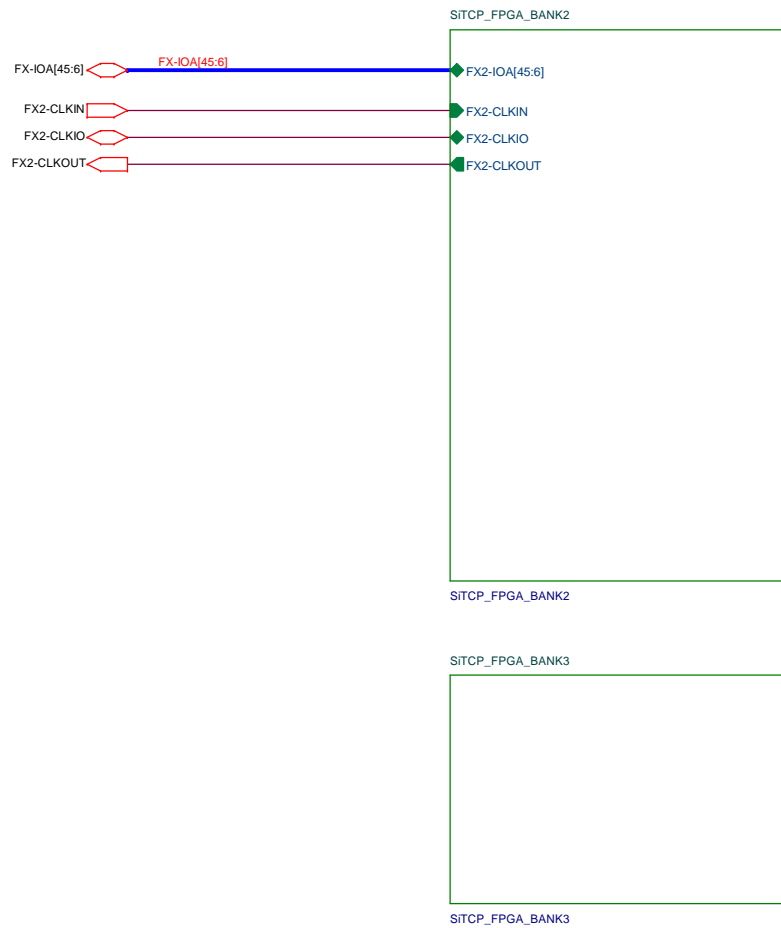
C

B

B

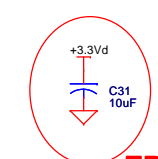
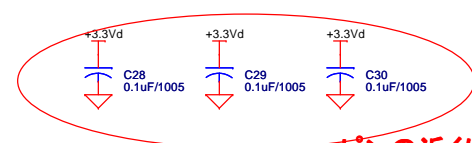
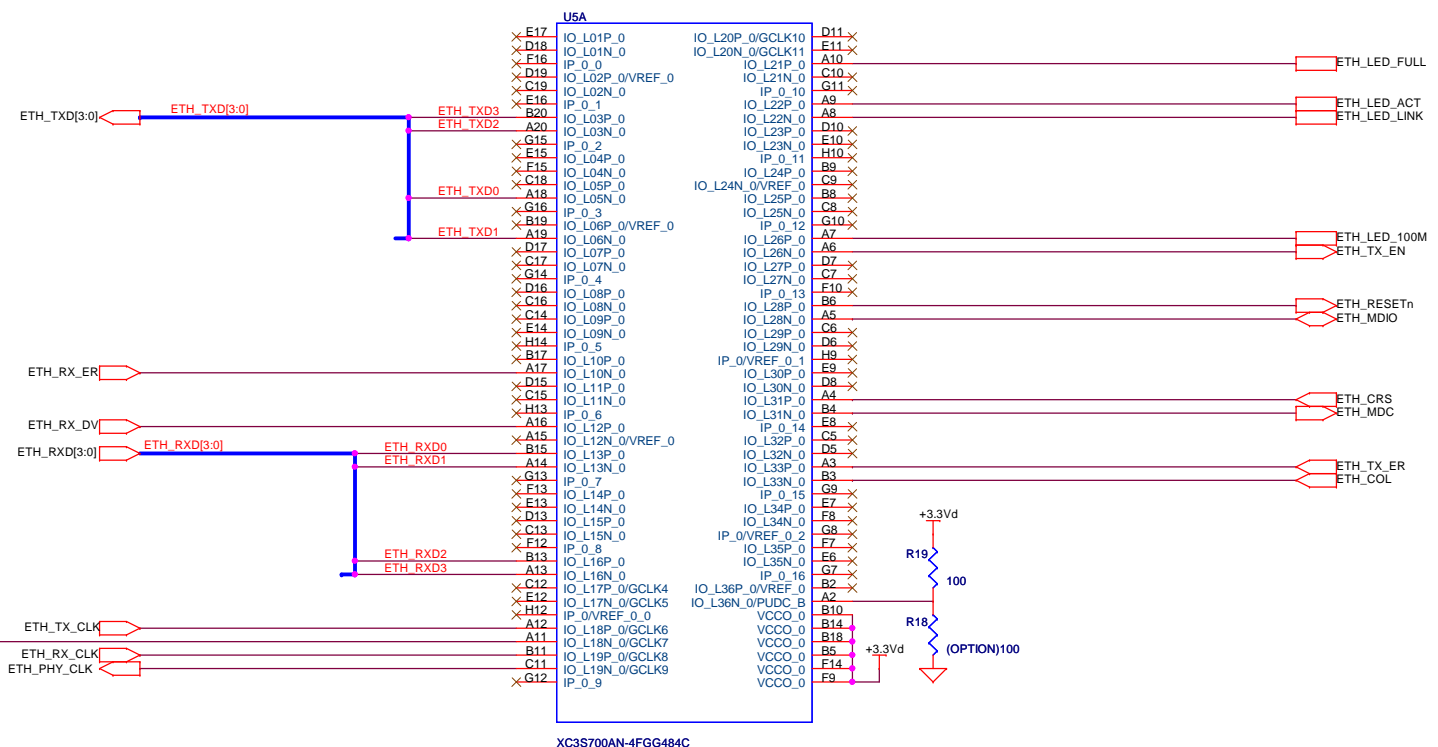
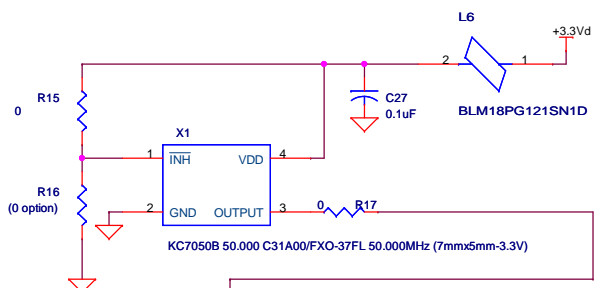
A

A

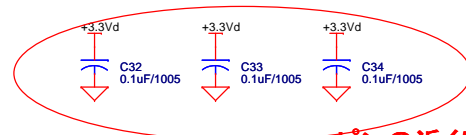
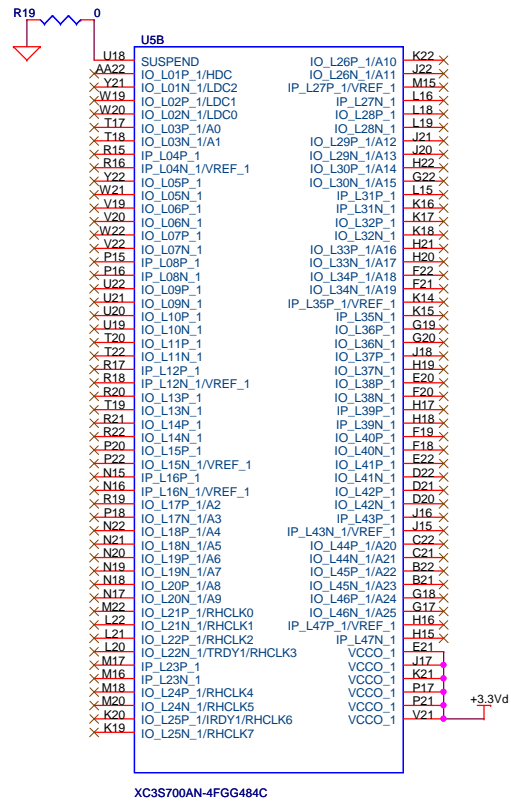


Title			SITCP_FPGA		
Size	Document Number				Rev
A3	Ucir-2008-005				0.1
Date:	Friday, November 21, 2008	Sheet	8	of	14

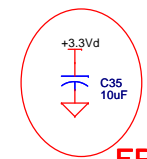




Title		
SITCP_FPGA_BANK0		
Size	Document Number	Rev
A3	Uci-2008-005	0.1
Date:	Wednesday, July 15, 2009	Sheet 9 of 14

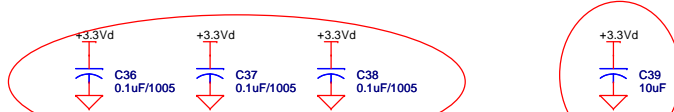
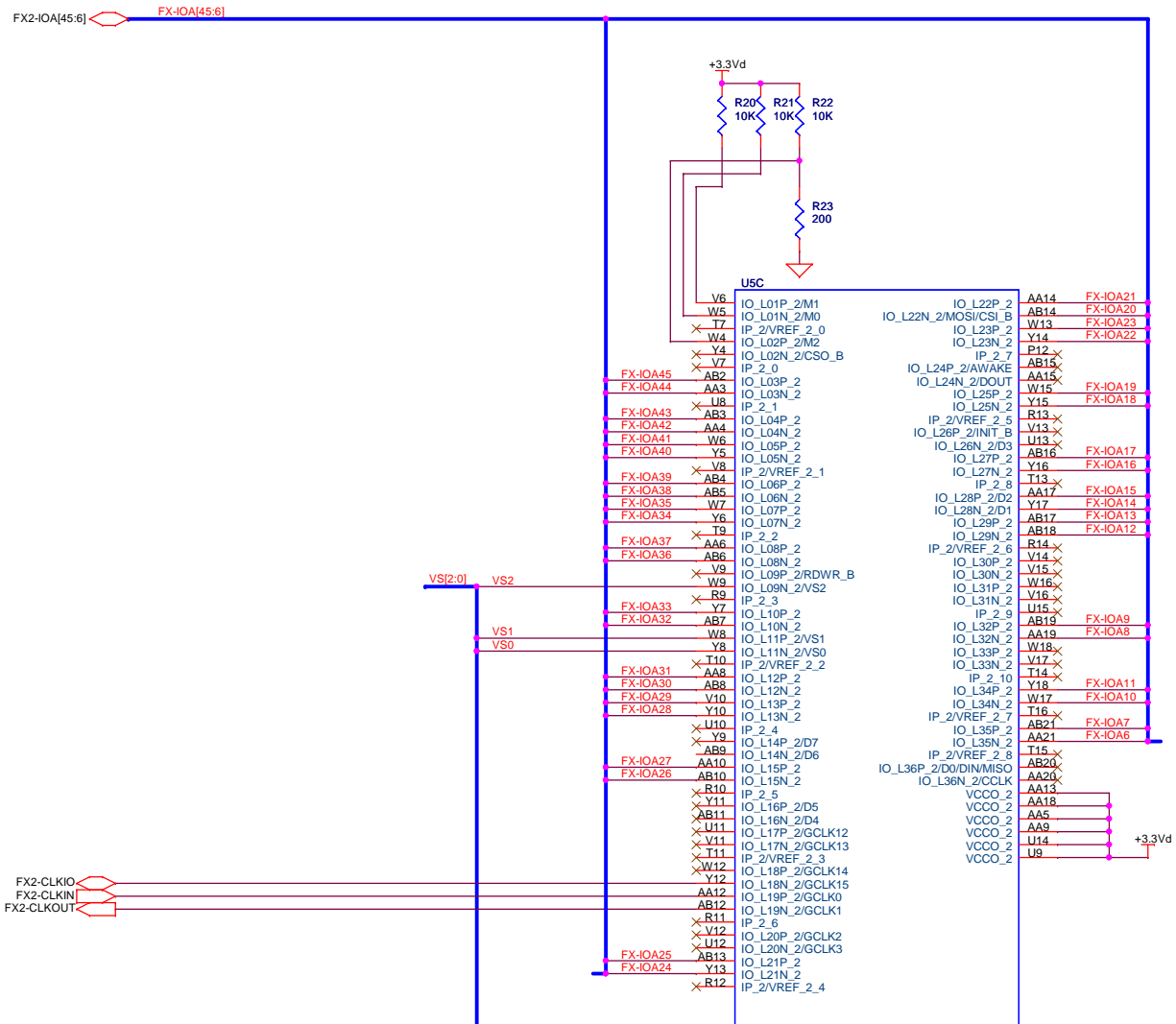


ピンの近くに



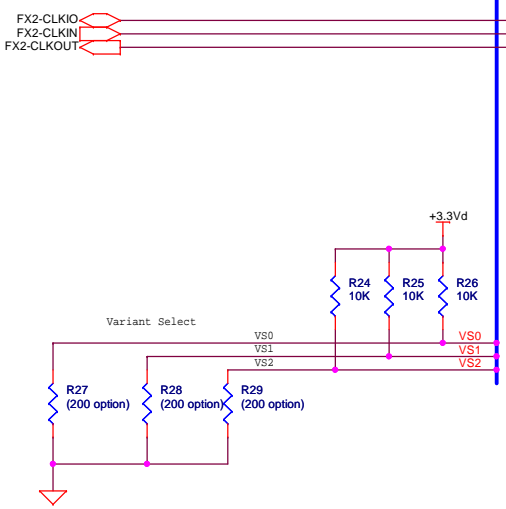
FPGAの近くに

Title		
SITCP_FPGA_BANK1		
Size	Document Number	Rev
A3	Ucir-2008-005	0.1
Date:	Wednesday, December 17, 2008	Sheet 10 of 14

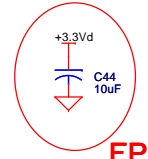
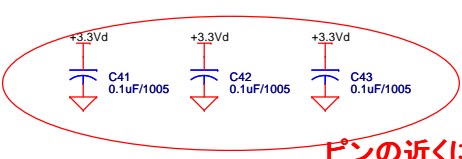
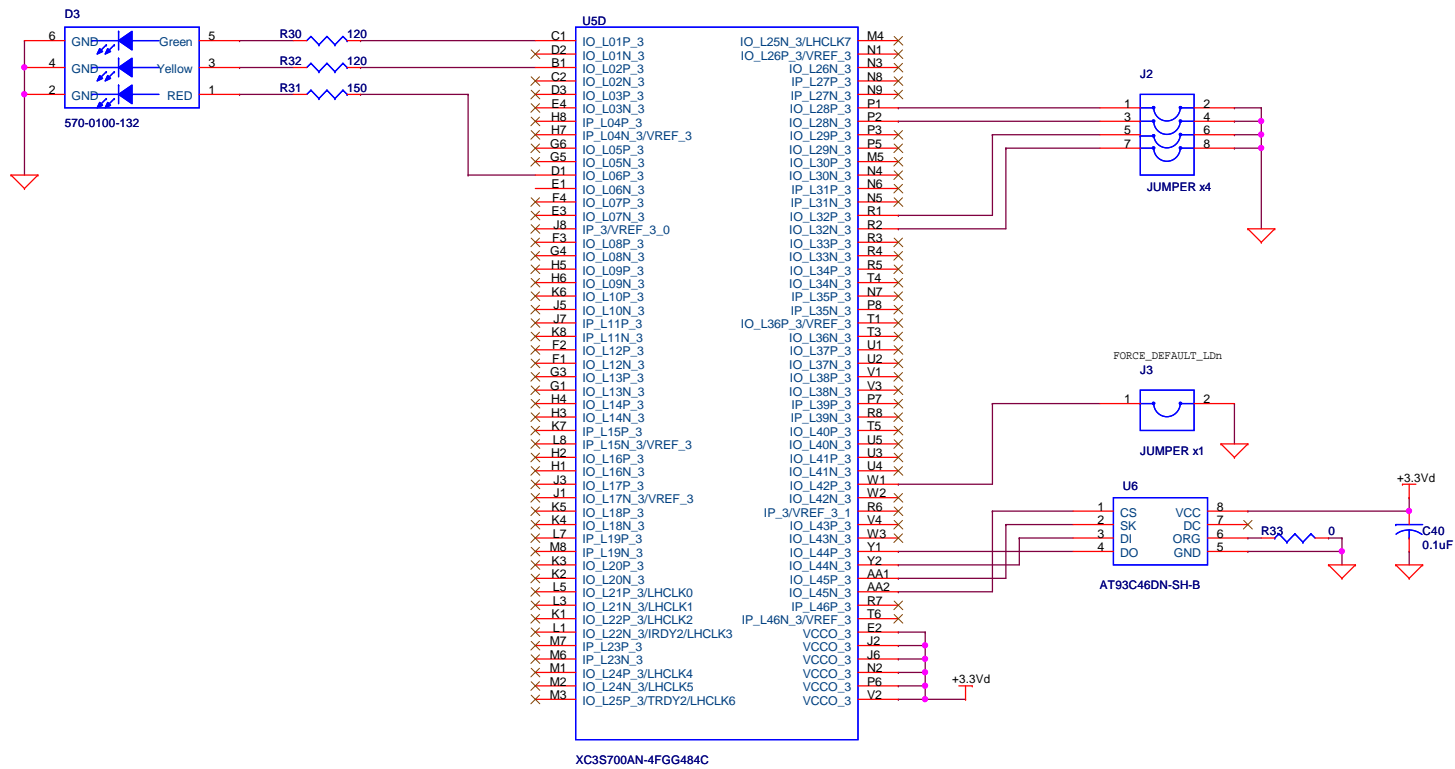


ピンの近くに

FPGAの近くに

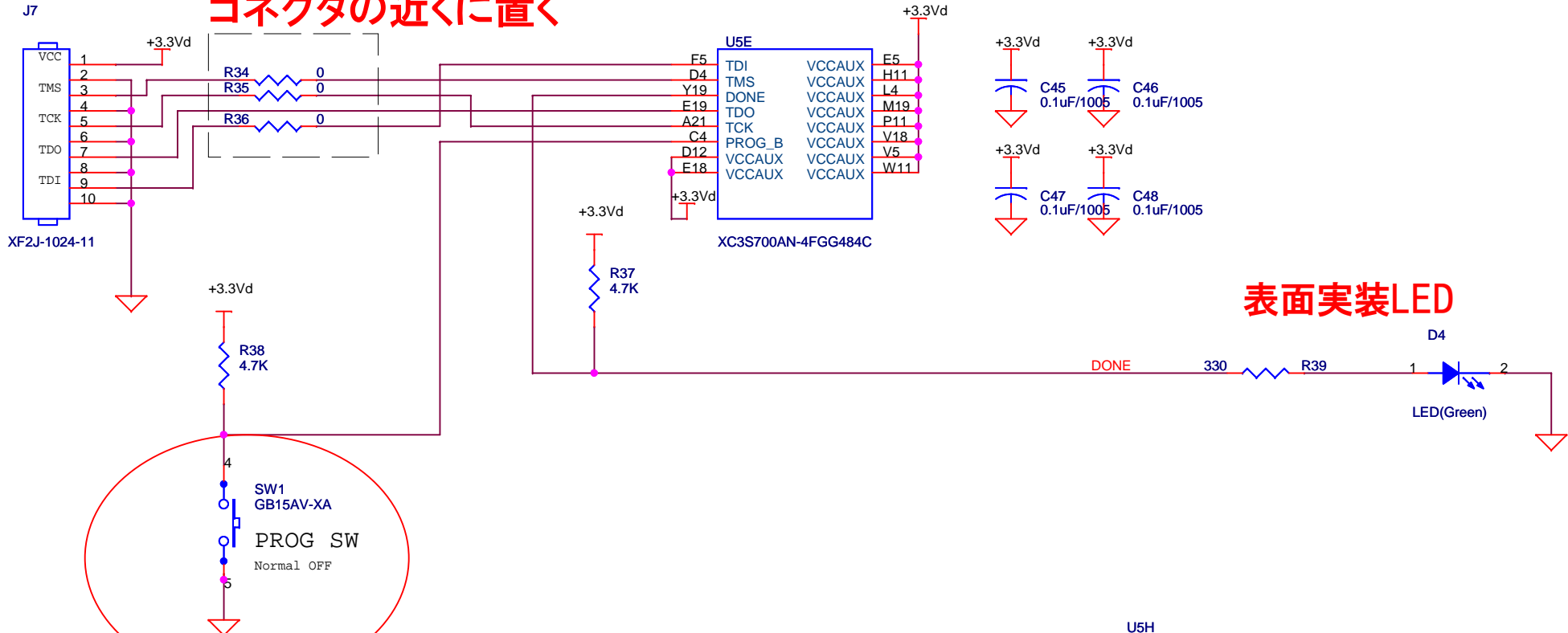


Title		
SITCP_FPGA_BANK2		
Size	Document Number	Rev
A3	UCir-2008-002	0.1
Date:	Wednesday, December 17, 2008	Sheet 11 of 14



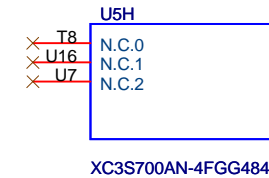
Title		
SITCP_FPGA_BANK3		
Size	Document Number	Rev
A3	Ucir-2008-005	0.1
Date:	Wednesday, December 17, 2008	Sheet 12 of 14

# コネクタの近くに置く

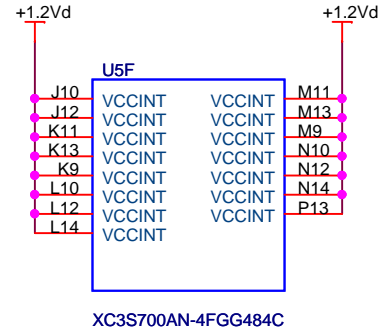
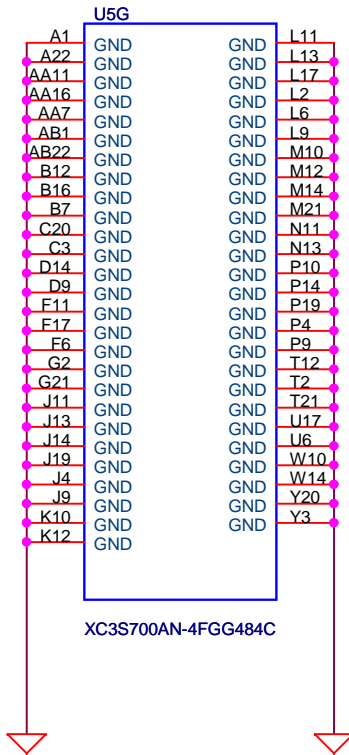


# 表面実装LED

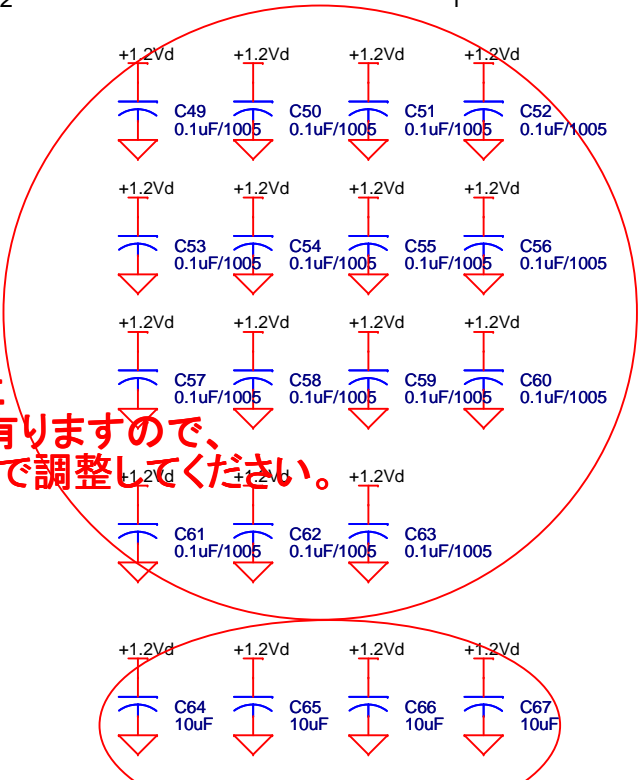
スイッチの型番は目安です。(色も含め)  
 機能的に良いものや小さい物などありましたら  
 そちらの物でお願い致します。  
 (希望としては小さくてケースの外から押せる物です)



Title		
SiTCP_FPGA_JTAG		
Size	Document Number	Rev
A4	Ucir-2008-005	0.1
Date:	Monday, June 01, 2009	Sheet 13 of 14



ピンの近くに  
多めにして有りますので、  
配置の関係で調整してください。



FPGAの近くに